

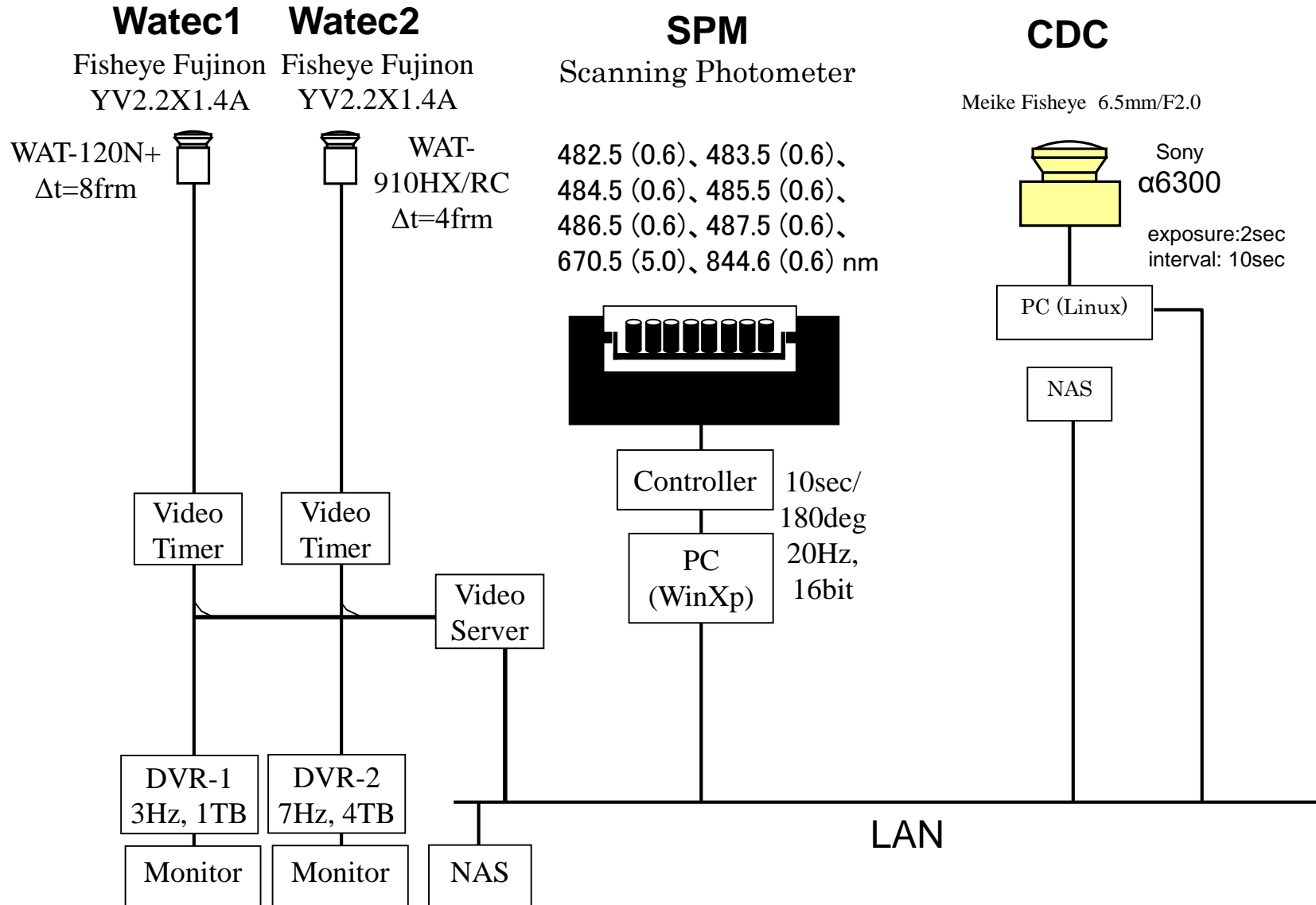
Auroral monitoring observation at Syowa Station

Instruments (2024-2025, JARE-65,66)

CDC	Color Digital Camera All-sky camera	Sony α6300 Exposure: 2sec, interval: 10sec
Watec	All-sky TV camera	Watec WAT-120N+ (video signal, exp: 8frame, 3Hz/10sec) Watec WAT-910HX (video signal, exp: 4frame, 7Hz/1sec)
WMI	Watec Monochromatic Imager All-sky camera	Watec WAT-910HX, 4 sets 1. 430nm (FWHM: 10nm), exp: 64 field, int: 1sec, 640x480 2. 560nm (FWHM: 10nm), exp: 32 field, int: 1sec, 640x480 3. 486nm (FWHM: 10nm), exp: 256 field, int: 5sec, 640x480 4. 480nm (FWHM: 10nm), exp: 256 field, int: 5sec, 640x480
SPM	8-color Meridian Scanning Photometer	Photomultiplier, 20Hz recording, 180deg/10sec scan Proton: 482.5, 483.5, 484.5, 485.5, 486.5, 487.5 nm Electron: 670.5, 844.6 nm

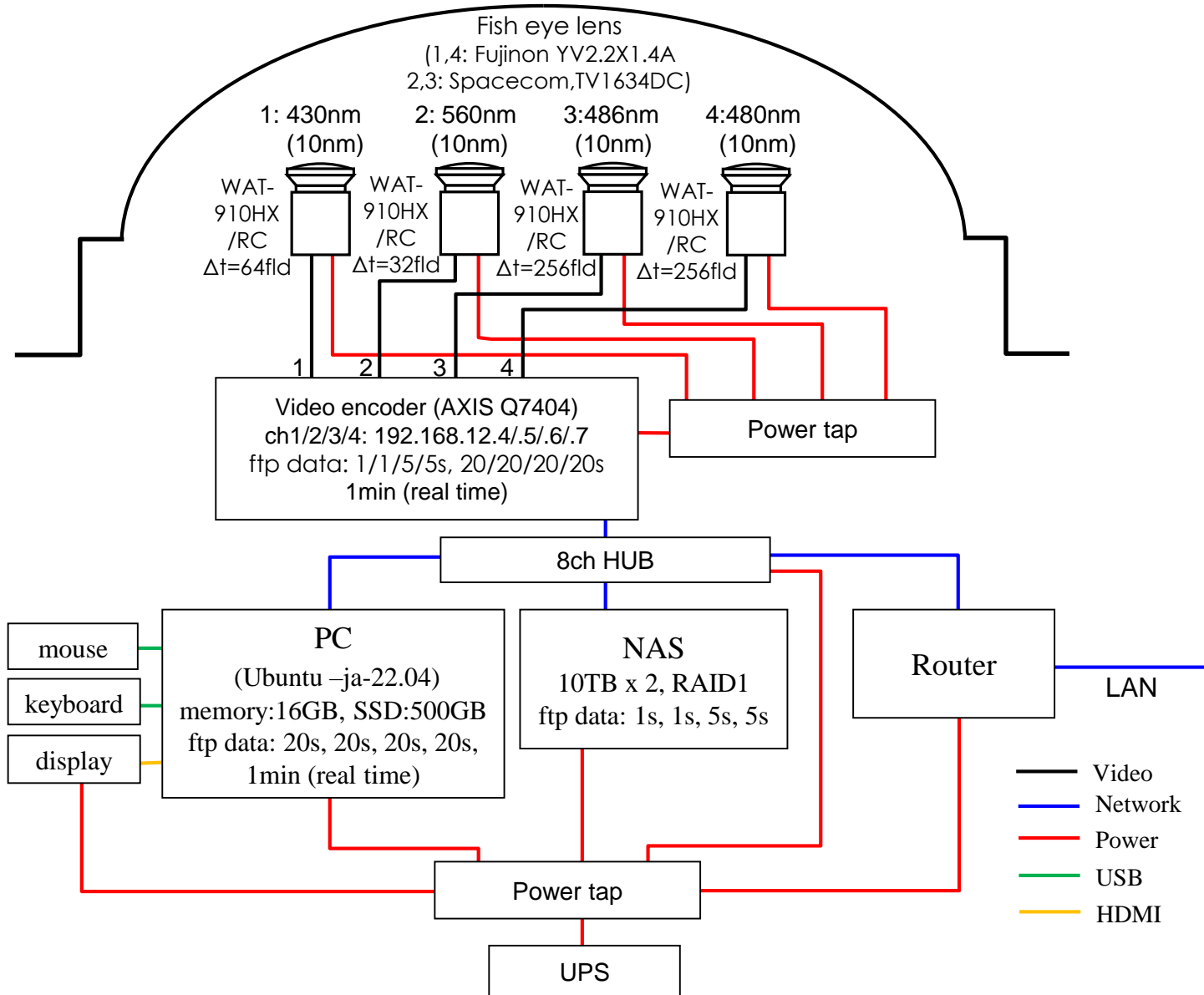
Auroral Monitoring Observation at Syowa Station

- All-sky TV camera : Watec
- 8-color Meridian Scanning Photometer (SPM)
- Color Digital Camera: CDC



Auroral Monitoring Observation at Syowa Station

■ Watec Monochromatic Imager (WMI)



Optical Instruments at Syowa Station in 2024-2025

