

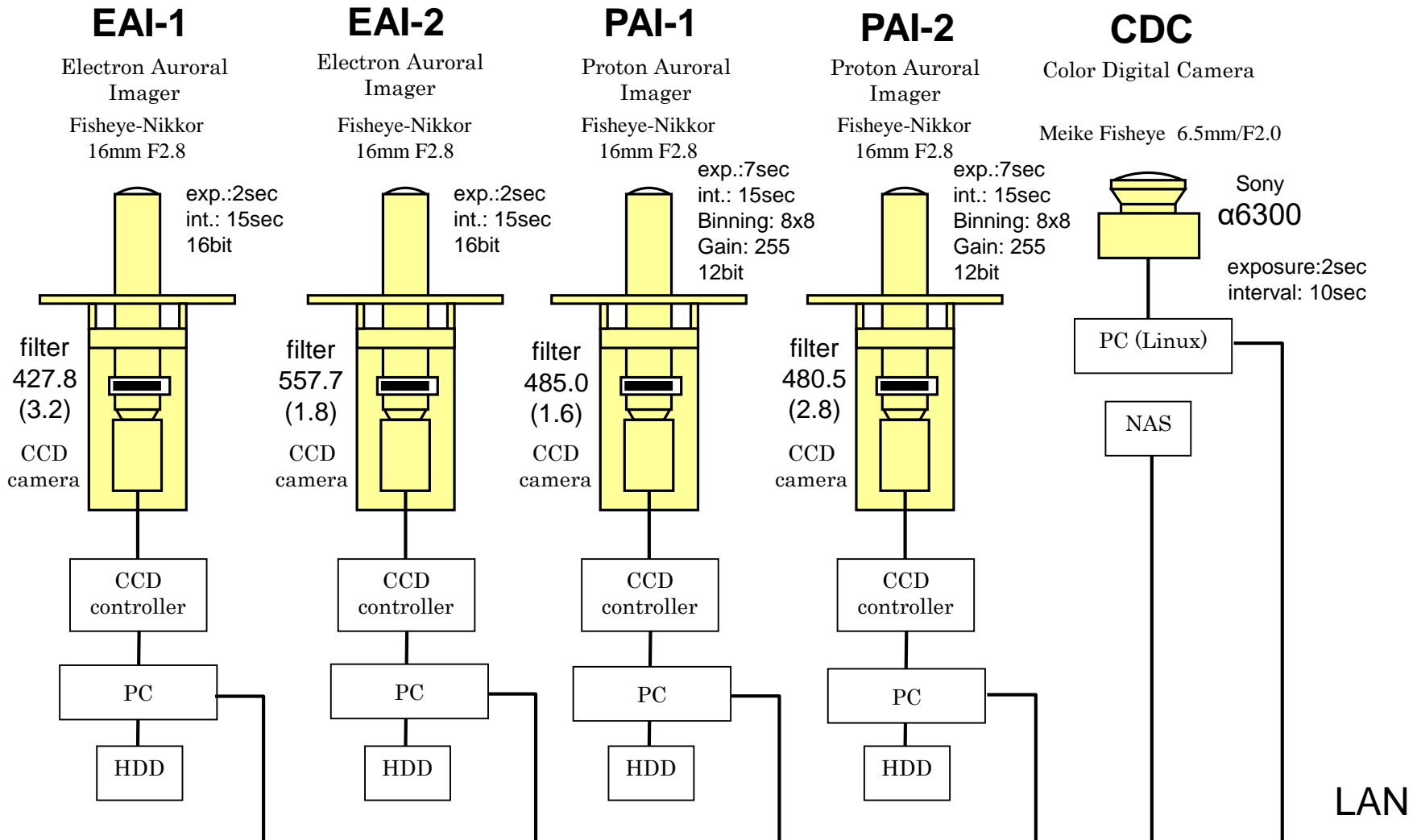
Auroral Observation at Syowa Station

Instruments (2021-2022, JARE-62,63)

EAI 1&2	Electron Aurora Imager All-sky monochromatic imager	Back-illuminated Cooled digital CCD camera EAI-1: 427.8 nm、exp:2sec、int:15sec、512x512 EAI-2: 557.7 nm、exp:2sec、int:15sec、512x512
PAI 1&2	Proton Aurora Imager All-sky monochromatic imager	Back-illuminated Cooled digital CCD camera PAI-1: 485.0 nm、exp:7sec、int:15sec、64x64 PAI-2: 480.5 nm、exp:7sec、int:15sec、64x64
CDC	Color Digital Camera All-sky camera	Sony α 6300 exposure:2sec、interval:10sec
Watec	All-sky TV camera	Watec WAT-120N+ (video signal, $\Delta t=16$ frame) Watec WAT-910HX (video signal, $\Delta t=4$ frame)
SPM	8-color Meridian Scanning Photometer	Photomultiplier、20Hz recording, 180deg/10sec scan Proton: 482.5, 483.5, 484.5, 485.5, 486.5, 487.5 nm Electron: 670.5, 844.6 nm
HAI	High-speed Aurora Imager panchromatic All-sky imager	EMCCD camera (Hamamatsu ImagEM X2) 256x256, 100fps、Fujinon fish-eye 2.7mm F1.8
PAS	Proton Aurora Spectrometer	417-579nm, $\Delta 2$ nm, 180deg, 60sec exposure

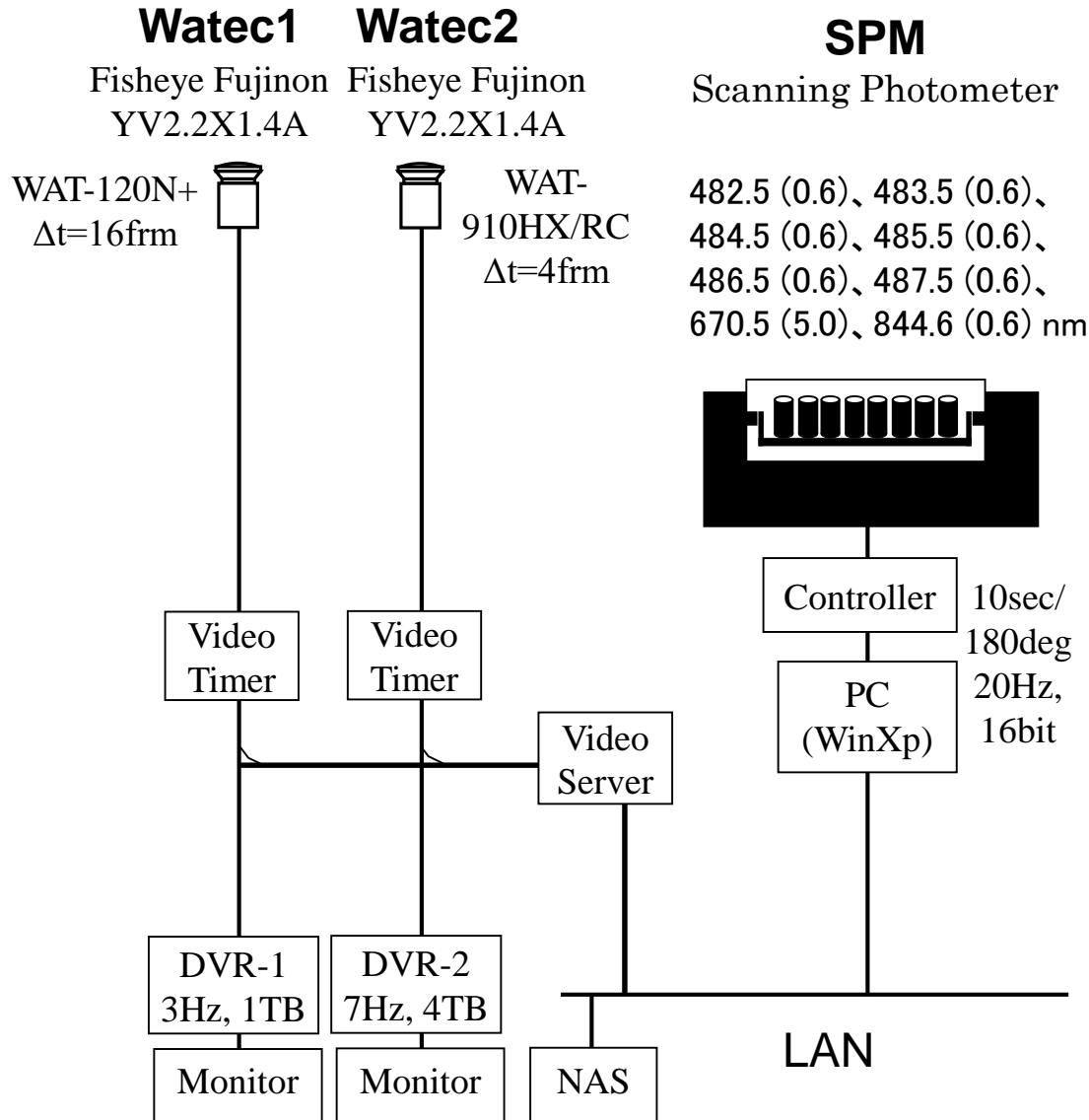
Auroral Monitoring Observation at Syowa Station

- Electron Auroral Imager : EAI-1(427.8nm), EAI-2(557.7nm)
- Proton Auroral Imager : PAI-1(485.0nm), PAI-2(480.5nm)
- Color Digital Camera: CDC



Auroral Monitoring Observation at Syowa Station

- All-sky TV camera : Watec
- 8-color Meridian Scanning Photometer (SPM)



Optical Instruments at Syowa Station in 2021-2022

